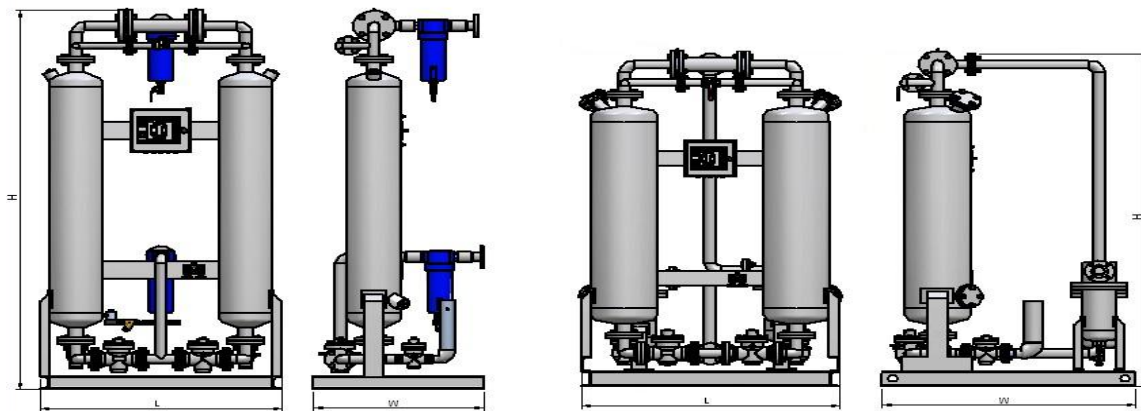


**HEATLESS DRYER
DC PLATINUM SERIES**

SPECIAL FEATURES	OPTIONAL FEATURES	STD. WORKING PARAMETERS
<ul style="list-style-type: none"> Wide range of 15 standard models with capacities from 6 m3/hr. to 2028 m3/hr. Higher capacities are available on request Pressure dew point achievable (-) 40°C and below Electronic controls/solid state timers for automatic and reliable operation Low power consumption Equipped with muffler on purge air outlet to reduce noise level Specially graded desiccant <i>Delsorb</i>[™] 10 for optimum performance and long life 	<ul style="list-style-type: none"> Humidity indicator Filters and/or total dryer bypass line with valves. Special delair filters for removal of water, oil mists, oil vapour and dust particles with electronically operated drain valves Explosion proof controls for offshore application Construction according to various codes 	<ul style="list-style-type: none"> Working Pressure : 5 to 14 kg/cm2(g) Air inlet temperature : 40°C Ambient temperature : 40°C <p>Note : For other working conditions please contact factory.</p>

SPECIFICATION SHEET

MODEL No.	CAPACITY IN M3/HR. PRESSURE IN BAR (G)										CONNECTION BSP FEMALE / FLANGE (IN INCHES)	DIMENSIONS (IN MM)			WEIGHT (IN KGS)
	5	6	7	8	9	10	11	12	13	14		L	W	H~	
DC 121	4.7	6.35	6.3	7	7.8	8.6	9.46	10.3	11.2	12.0	1/4" BSP	410	350	660	22
DC 122	9.4	10.9	12.5	14.1	15.6	17.2	18.92	20.6	22.4	24.1	1/4" BSP	420	350	700	25
DC 123	18.8	21.9	25	28.2	31.3	34.5	37.95	41.4	44.9	48.3	1/4" BSP	455	350	880	30
DC 124	41	47.9	54.7	61.5	68.4	75.4	82.94	90.5	98.0	105.6	1/2" BSP	590	400	1600	110
DC 125	54.8	63.9	73	82.2	91.3	100.5	110.55	120.6	130.7	140.7	1/2" BSP	590	400	2020	160
DC 126	82	95.7	109.5	123	136.8	150.5	165.55	180.6	195.7	210.7	3/4" FLANGE	735	530	2100	180
DC 127	123	144	164	185	205	226	248.6	271.2	293.8	316.4	1" FLANGE	760	600	2000	220
DC 128	219	255	291	328	365	401	441.1	481.2	521.3	561.4	1.1/2" FLANGE	1000	700	2160	260
DC 129	329	384	439	494	549	604	664.4	724.8	785.2	845.6	1.1/2" FLANGE	1055	700	2200	345
DC 130	478	557	637	717	796	876	963.6	1051.2	1138.8	1226.4	2" FLANGE	1275	1250	2300	850
DC 131	629	734	839	944	1048	1153	1268.3	1383.6	1498.9	1614.2	2" FLANGE	1360	1250	2300	1100
DC 132	794	926	1058	1190	1323	1455	1600.5	1746.0	1891.5	2037.0	2" FLANGE	1410	1350	2300	1200
DC 133	1012.4	1181.5	1352	1518.5	1690	1858.2	2044.02	2229.8	2415.7	2601.5	2.1/2" FLANGE	1660	1450	2640	1250
DC 134	1265.5	1476.5	1690	1898.2	2111.3	2322.7	2554.97	2787.2	3019.5	3251.8	3" FLANGE	1870	1675	2900	1500
DC 135	1448.6	1738.3	2028	2317.7	2607.3	2897.1	3186.81	3476.5	3766.2	4055.9	3" FLANGE	1940	1675	2800	1800



DC-121 TO 129

SKID MOUNTED

DC-130 TO 135

ALL DATA SUBJECT TO CHANGE WITHOUT NOTICE